

## A-170 GPS/GLONASS DUAL ANTENNA



### Features

- ✦ GPS/GLONASS dual band
- ✦ Compact size
- ✦ IPX7 waterproof
- ✦ RoHS compliant
- ✦ Low profile structure
- ✦ Easy to install

### Specifications

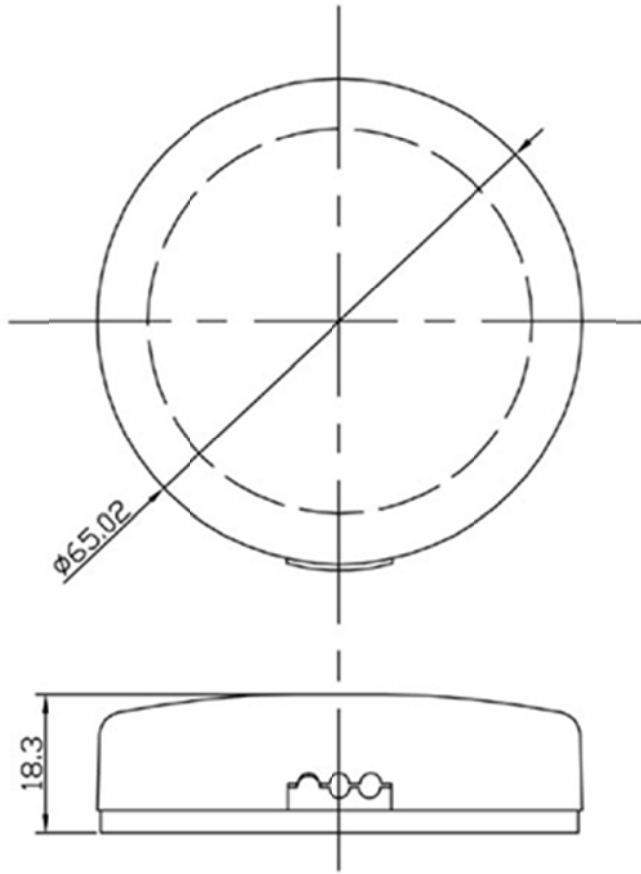
<b>Frequency</b>	1575.42MHz ± 10 MHz 1602 MHz ± 8 MHz
<b>Gain:</b>	27dB (1m Cable)
<b>V.S.W.R.</b>	<2.0
<b>Noise Figure</b>	1.5 Typical
<b>Band Width</b>	43 MHz min@S11< -10dB
<b>Impedance</b>	50 ohm
<b>Polarization</b>	Right Hand Circular (R.H.C.)
<b>Power Supply</b>	2.5 ~ 5.0V DC
<b>Power Consumption</b>	10.6 mA @ 3V, 21 mA@ 5V (Typical)
<b>Dimension</b>	65mm(Dia.) x 17.6mm(H)
<b>Operating Temperature</b>	-30°C ~ +80°C
<b>Storage Temperature</b>	-40°C ~ +85°C
<b>Coax Connector</b>	BNC, SMB, Fakra, SMA, MCX, MMCX, GT5 or on request
<b>Cable Length</b>	3M, 5M or upon request
<b>Coax Cable</b>	Low loss RG-174
<b>Mount</b>	Magnetic and/or 3M sticker

#### NOTE:

- Avoid running the antenna cable next to other antenna cables from two way radios, cell phones, etc.
- Do NOT lengthen/shorten the shielded antenna cable
- Take special care when plugging and unplugging the antenna connector
- Take extreme care in handling and not to place the antenna under any metal structure surface such as a metal roof rack

## Mechanism

---



**TOLERANCE:  $\pm 0.5\text{MM}$**