

AR-4S GPS, GLONASS, 2G AND 3G MULTI-BAND ANTENNA



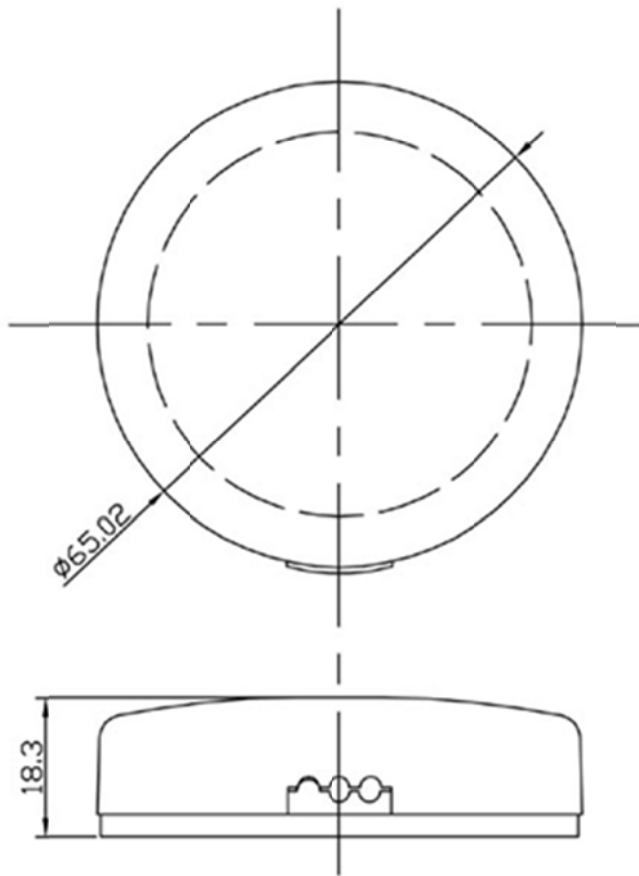
Features

- ✧ Sticker or magnetic mount
- ✧ Compact size
- ✧ Easy to install
- ✧ Low profile structure
- ✧ Covers all mobile communication networks
- ✧ Fully waterproof
- ✧ RoHS compliant

Specifications

Category	GPS Antenna	Communication Antenna
Frequency	1575.42MHz ± 10 MHz 1602 MHz ± 8 MHz	824 ~894 MHz (GSM 850MHz)
		890~960 MHz (GSM 900MHz)
		1710~1890 MHz (DCS 1800MHz)
		1850~1990 MHz (PCS 1900MHz)
		1920~2170 MHz (WCDMA 2100MHz)
Gain	27dB (1m Cable)	5dBi@700~960MHz(1m Cable)
		2dBi@1710~2690MHz(1m Cable)
V.S.W.R	<2.0	<2.0
Noise Figure	1.5 Typical	--
Band Width	43 MHz min@S11< -10dB	136 MHz for 824 MHz~960 MHz
		280 MHz for 1710 MHz~1990 MHz
		250 MHz for 1920 MHz~2170 MHz
Impedance	50 Ohm	50 Ohm
Cable/Connector	3m RG-174 Cable-SMA(P)	3m RG-174 Cable-SMA(P)
Polarization	R.H.C.P	Linear
Power supply	2.5 ~ 5.0V DC	--
Power Consumption	10.6 mA @ 3V, 21 mA@ 5V(Typical)	--
Power Handling Capacity	-	10W
Dimension	65mm(Dia.) x 17.6mm(H)	
Operation Temperature	-40degC to +80degC	
Storage Temperature	-45degC to +100degC	

Mechanical Diagram



TOLERANCE: $\pm 0.5\text{MM}$

NOTE:

- Avoid running the antenna cable next to other antenna cables from two way radios, cell phones, etc
- Do NOT lengthen/shorten the shielded antenna cable
- Take special care when plugging and unplugging the antenna connector
- Take extreme care in handling and not to place the antenna under any metal structure surface such as a metal roof rack